

# M133WK

## 13.3" Intel® Core™ i5-8265U ruggedized tablet



### KEY FEATURES

- Intel® Core™ i5-8265U Whiskey Lake processor ruggedized tablet
- 13.3" 1920 x 1080 IPS wide viewing angle LED Panel
- Magnesium alloy housing with all-around elastomeric rubber
- Built-in kickstand usable as carrying handle(indefinitely adjustable)
- IP65 waterproof and dustproof
- Optical bonding technology
- TPM 2.0



### SPECIFICATIONS

Display	
<b>Resolution</b>	1920x1080
<b>Contrast Ratio</b>	1000:1
<b>View Angles</b>	89,89,89,89
<b>Bonding</b>	Optical Bonding for Sunlight Viewability
<b>Size</b>	13.3 inches
<b>Panel Brightness</b>	500 nits
<b>Type</b>	Projected Capacitive Multi Touch
System Specification	
<b>Processor</b>	Intel® Core™ i5-8265U, 1.60 GHz (up to 3.90 GHz)
<b>Storage</b>	Storage 1: 1 x 128GB M.2 SSD Additional storage available with SDXC card slot Storage 1 up to 1x 1TB M.2 SSD (Optional) Storage 2 up to 1x 1TB M.2 SSD (Optional)
<b>Security</b>	Trusted Platform Module (TPM) 2.0 Kensington Lock
<b>WLAN</b>	Support
<b>WWAN</b>	4G LTE (Optional)
<b>Memory</b>	4GB SODIMM DDR4-2400 8GB SODIMM DDR4-2400 (Optional) 16GB SODIMM DDR4-2400 (Optional)
<b>Ethernet controller</b>	1 x RJ45-10/100/1000 Mbps LAN
<b>Operating System</b>	Windows 10 IoT Enterprise
<b>BT</b>	Support
<b>GNSS</b>	GPS/GLONASS (Optional)
Mechanical	
<b>Dimension</b>	338.2 x 240 x 30 mm (13.3 x 9.4 x 1.18 inches)
<b>Cooling System</b>	Fanless thermal design
<b>Weight</b>	2.2kg (w/ kickstand)
IO Ports	
<b>USB Port</b>	4 x USB 3.0 Type A, 1 x USB 3.0 Type C
<b>SIM Card Slot</b>	1 x SIM card slot
<b>LAN</b>	1 x RJ45-10/100/1000 Mbps LAN
<b>SD Card Slot</b>	1 x SDXC Slot
<b>Audio</b>	2 x 1 watt speaker
<b>Docking Connector</b>	1 x Docking connector
<b>Indicator</b>	4x LED Indicator for Power, Battery, SSD, RF status
Environment	
<b>Operating Humidity</b>	30% to 80% RH, non-condensing
<b>Storage Temperature</b>	-20°C to 60°C (-4°F to 140°F)
<b>Vibration</b>	MIL-STD-810G Method 514.6 Procedure I
<b>Operating Temperature</b>	-10°C to 50°C (14°F to 122°F)
<b>Shock</b>	MIL-STD-810G Method 516.6 Procedure I
<b>IP rating</b>	IP65 certified, dustproof and waterproof

Drop MIL-STD-810G Method 516.6, 4 ft

### Certification

Certification CE, FCC

### Security Function

Kensington Lock Kensington Lock Support

### Control

Button 1 x Power, 1 x menu, 2 x volume key  
3 x Programmable Function Keys

### Camera

Rear Camera 1 x 8MP Rear Camera with auto-focus and LED light (Optional)

### Power

Battery 15.4V, typ. 5900 mAh Li-Polymer Battery (4S1P)

Battery Operating Time More than 10 hours (BAPCo TabletMark v3)

Power Rating 19V DC

Adapter 100-240V, 50-60Hz / 19V DC

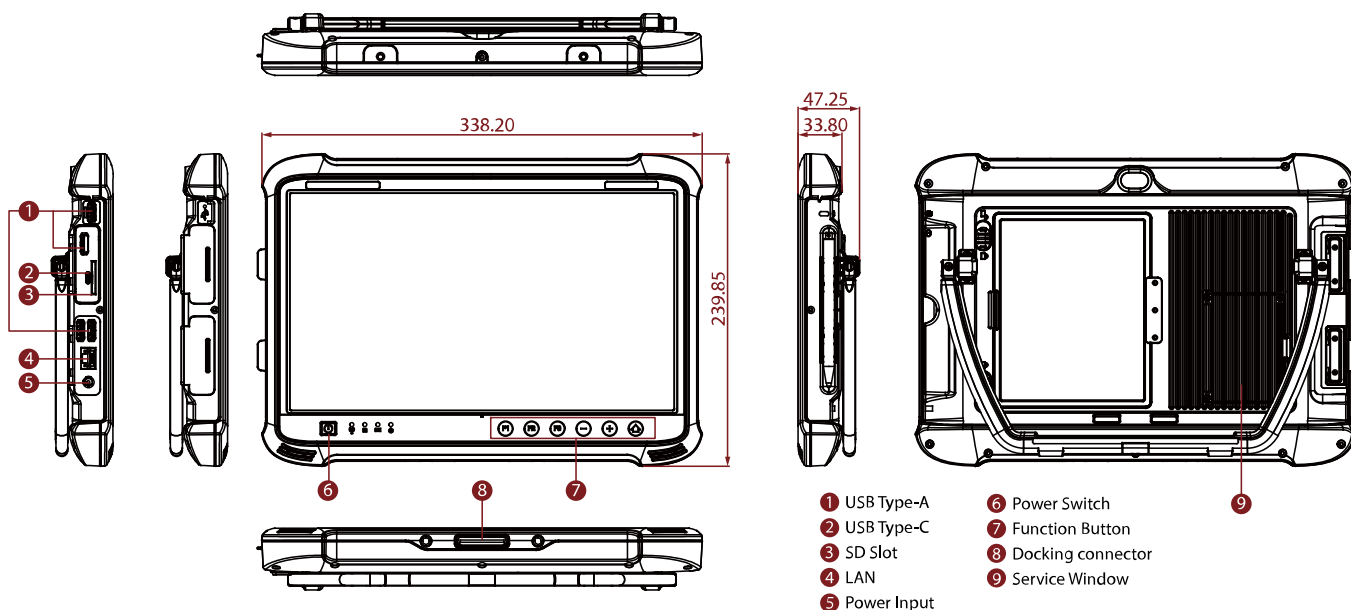
### Accessory

Accessory Adapter and Power Cord  
Standard Battery  
Stylus  
Stand with Integrated Handle

Optional Accessory Vehicle Charger (Optional)  
Battery Charger (Optional)  
Desk Docking (Optional)

## DIMENSIONS UNIT:MM

### Winmate 13.3" Ultra Rugged Tablet PC M133W



## NOTE

1. Total usable memory will be less dependent upon actual system configuration.
2. TPM 2.0 is available upon request.
3. Length measurements do not include protrusions. Weight varies with options.
4. Measured at dimming LCD brightness. Varies depending on the usage conditions, or when an external device is attached.
5. This is a simplified drawing and some components are not marked in detail.
6. The product shown in this datasheet is a standard model. For diagrams that contain customized or optional I/O, please contact the Winmate Sales Team for more information.