

7" Rugged Tablet X86-based Windows® 10 up to 1.92 GHz Quad Core Processor



Features

- 7" WXGA (1280 x 800) TFT LCD Display, 400 nits, Sunlight Readable (Optional)
- Intel® Atom™ x5-Z8350 CHT-T3 Quad Core 1.92 GHz Processor
- DDR3L - RS 1600 2GB/4GB (Optional)
- Projected Capacitive Multi-Touch Panel, Gorilla Glass
- Extended Battery Swappable, MIL-STD 810G, IP65 Compliant
- GPS/GLONASS Simultaneously
- WiFi b/g/n, BT4.0
- Supports NFC/RFID, Ethernet + COM Port (Optional)
- 1D/2D Barcode Scanner with Trigger Button
- MSR (Optional)/ SCR (Optional)
- G-Sensor, Light Sensor, E-Compass
- Windows® 10, Android™ 5.1/6.0



Navigation	GPS, Glonass
WWAN(optional)	3G: WCDMA
Camera	2 MP front camera, 8 MP auto-focus rear camera with flash
Sensors	G-sensor, E-Compass, Gyroscope, Light-sensor
Expansion Slot	Docking
Barcode Code Scanner (Optional)	1D Scanner support CMOS engine (Optional), 2D Scanner support LED engine
RFID (Optional)	HF RFID based on 13.56MHz compatible with NFC
Mechanical	
Color	Black
Dimension (W x H x D)	5.38" x 8.58" x 0.83" (136.6mm x 219mm x 21mm)
Gross Weight	1.254 lb (0.57 kg)
Environmental	
Operating Temperature	-4 °F ~ 122°F (-20°C ~ 50°C)
Storage Temperature	-67°F ~ 158°F (-55 °C ~ 70 °C)
Humidity	50°C; 5% ~ 90% R/H; 120 hours, non-condensing
Environmental Sealing	IP65
Vibration	MIL-STD-810G Method 514.6 Procedure I, Cat. 24, Fig. 514.6E-1 & E-2
Drop	MIL-STD-810G Method 516.6 Procedure IV - Height of Drop: 122cm (48 inch; 4ft), - Number of Drop: 26 times, - Floor: Twinch plywood backed by concrete, - For all surfaces, edges and corners
ESD	Up to Air charge: +/- 15KV, Contact charge: +/- 8KV
Certifications and Standards	UL: UL60950-1, CE/LVD: EN60950-1, FCC, CE
Power Supply	
AC / DC Adapter	AC 100~240V, 50~60Hz; DC 12V/3A (36W)
Battery Life	Dual Li-polymer High Capacity Batteries, up to 5 Hours Battery Life
Master Battery	External Battery: 7.4V 1530mAh
Slave Battery	Removable Battery: 7.4V 1530mAh
Display	
LCD	7" TFT-LCD / 16:10, with LED backlight
Resolution	1280 x 800 pixel
Maximum Color	16.7M
Dot Size	0.117 x 0.117(H)
Brightness	400 nits; Sunlight Readable (Optional)*
Viewing Angle	Horizontal: 178° (Typ.), Vertical: 178° (Typ.)
Touch Screen	
Touch Type	Projected capacitive multi-touch screen (PCT)
Light Transmission	Min 87% (ASTM D1003; Wavelength = 550nm)

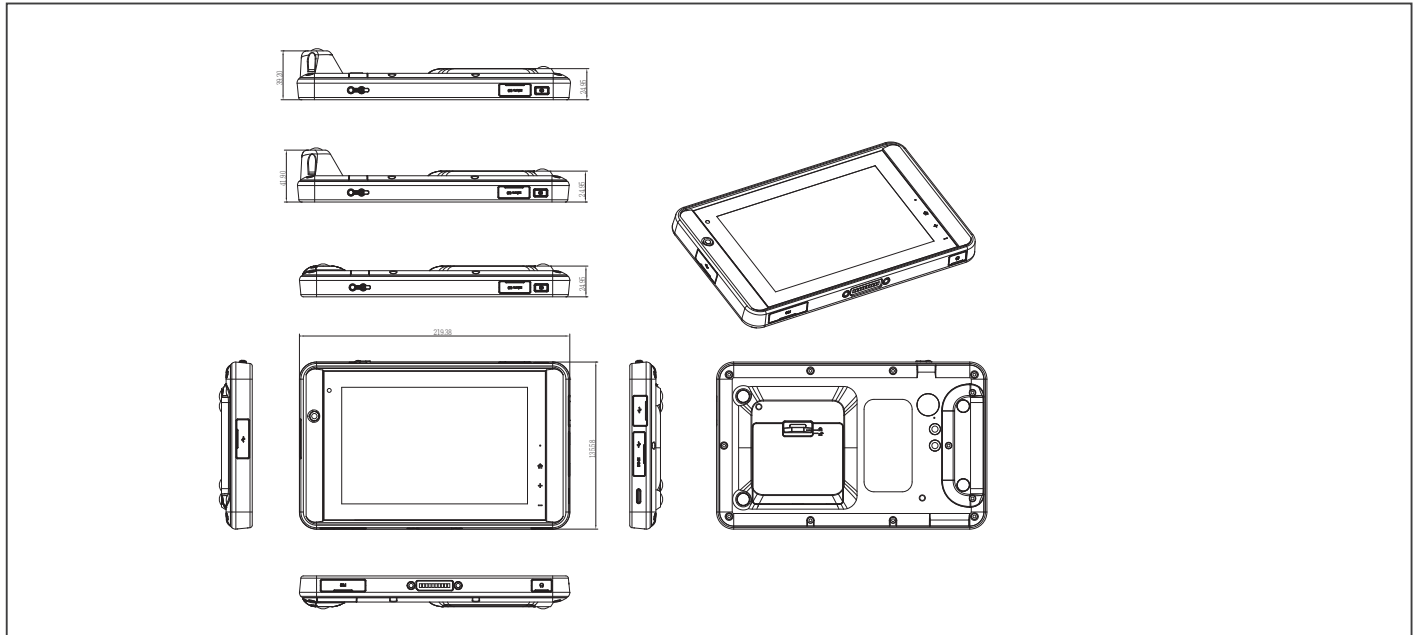
* Sunlight readable by optional Anti-Reflective bonding and optional Anti-Glare film.

Specifications

System Architecture	
Processor	Intel® Atom™ X5-Z8350 CHT-T3 Quad Core 1.92 GHz Processor
Operating System	Windows® 10, Android™ 5.1/6.0
Memory	Onboard 2GB DDR3L (4G Optional)
Storage	Onboard 64GB eMMC
Display	7" TFT-LCD/ 16:10, with Projected Capacitive Multi-Touch screen
I/O Ports	DC-in jack x 1, MicroSD Card x 1, SIM card slot x 1, USB 2.0 x 2 (A Type x 1, Mini USB x 1), USB 3.0 x 1 (Type C), Built-in Speaker & Microphone x 1, 3.5mm stereo headphone jack x 1, 1D/2D Barcode scanner x 1 (Optional), Magnetic Stripe Reader x 1 (Optional), COM port x 1 + Ethernet x 1 (Optional)
Communication	Bluetooth v4.0, Wi-Fi (802.11 b/g/n), NFC / RFID (13.56MHz), 3G (Optional)

Dimension

Unit: mm



Packing List

- 1255300360
AC Power Adapter
- 9789600A00
Battery
- Product CD
- RTC-700B

Optional Accessories

- 9759700B00
Hand strap
- 9789700A04
Leather Strap for RTC-700x w/
Barcode. or LAN used
- 1700051000
USB Cable (Client to PC)
- 1700240150
USB Dongle Type C to HDMI
- 1702031831
Power Cable for Europe
- 1702031830
Power Cord Cable for USA
- PER-A151
USB, COM and RJ-45 Module
- PER-A152
COM and Ethernet Module
- PER-A153
Barcode Module
- PER-A155
MSR Module
- PER-A156
MSR and SCR Module
- TF-RDS-0310-0000
Docking Station (with Stand)
- TF-RDS-0310-0002
Docking Station (without Stand)
- 9741600R04
Battery 2 PCS in a pack
- RDS-0040-0000
4-Bay Battery Charger
- 1255900360
Car Adapter, Barrel Type
- 1255900361
Car Adapter, Flying Type

* Small quantity MOQ may apply for optional/customized services.

Ordering Information

Part Number	CPU	LCD Display	Touch Screen	System Memory	Storage	OS	WiFi/Blue-tooth	3G Bands (MHz)	Navigation	Sensor	Camera	Battery	Expansion I/O	Size & Weight	Operation Temp	Durable	NFC (HF RFID)	2D Barcode Scanner	Com + Ethernet	Docking
RTC-700B-TAD-WBGHR-1101	Intel® Atom™ x5-Z8350 CHT-T3 Quad Core 1.92 GHz Processor	7" TFT LCD	Pcap 10-point	DDR3L-RS 1600 2GB	64GB Flash eMMC	Windows® 10	802.11b/g/n +BT4.0+EDR	850/1900/2100	GPS/ Glonass/ AGPS*	Light Sensor x 1, G Sensor x 1, 3-axis digital gyroscope x 1, Vibrator x 1	Front: 2MP, Back: 8MP	Dual-Battery, Internal: 7.4V,1530mAh, External: 7.4V, 1530mAh					Yes	Yes	—	Yes
RTC-700B-TAD-WBGHR-1102	Intel® Atom™ x5-Z8350 CHT-T3 Quad Core 1.92 GHz Processor	7" TFT LCD	Pcap 10-point	DDR3L-RS 1600 2GB	64GB Flash eMMC	Windows® 10	802.11b/g/n +BT4.0+EDR	850/1900/2100	GPS/ Glonass/ AGPS*	Light Sensor x 1, G Sensor x 1, 3-axis digital gyroscope x 1, Vibrator x 1	Front: 2MP, Back: 8MP	Dual-Battery, Internal: 7.4V,1530mAh, External: 7.4V, 1530mAh					Yes	—	Yes	Yes
RTC-700B-TAD-WBG-1100	Intel® Atom™ x5-Z8350 CHT-T3 Quad Core 1.92 GHz Processor	7" TFT LCD	Pcap 10-point	DDR3L-RS 1600 2GB	64GB Flash eMMC	Windows® 10	802.11b/g/n +BT4.0+EDR	—	GPS/ Glonass/ AGPS*	Light Sensor x 1, G Sensor x 1, 3-axis digital gyroscope x 1, Vibrator x 1	Front: 2MP, Back: 8MP	Dual-Battery, Internal: 7.4V,1530mAh, External: 7.4V, 1530mAh	USB A x 1, MiniUSB x 1, USB C x 1, micro SD x 1, SIM Card x 1	L219.4 x W135.58 x H 21.2mm, 640g	-4°F ~ 122°F (-20°C ~ 50°C)	Meet IEC 60529 IP-65 standard, MIL Std 810G-516.6, Procedure IV, 26 drops of 48" height to 2" plywood over concrete with bumpers & units off, 2 units to pass	—	—	—	—
RTC-700B-TAD-WBGHR-5101	Intel® Atom™ x5-Z8350 CHT-T3 Quad Core 1.92 GHz Processor	7" TFT LCD	Pcap 10-point	DDR3L-RS 1600 2GB	64GB Flash eMMC	Android5.1	802.11b/g/n +BT4.0+EDR	850/1900/2100	GPS/ Glonass/ AGPS*	Light Sensor x 1, G Sensor x 1, 3-axis digital gyroscope x 1, Vibrator x 1	Front: 2MP, Back: 8MP	Dual-Battery, Internal: 7.4V,1530mAh, External: 7.4V, 1530mAh					Yes	Yes	—	Yes
RTC-700B-TAD-WBGHR-5102	Intel® Atom™ x5-Z8350 CHT-T3 Quad Core 1.92 GHz Processor	7" TFT LCD	Pcap 10-point	DDR3L-RS 1600 2GB	64GB Flash eMMC	Android5.1	802.11b/g/n +BT4.0+EDR	850/1900/2100	GPS/ Glonass/ AGPS*	Light Sensor x 1, G Sensor x 1, 3-axis digital gyroscope x 1, Vibrator x 1	Front: 2MP, Back: 8MP	Dual-Battery, Internal: 7.4V,1530mAh, External: 7.4V, 1530mAh					Yes	—	Yes	Yes