

Poindus

VariPOS

Simplify Operation,
Level up Business

250/270





* 2 x SATA III (2.5") - Option

Features

Powered USB Connection

The VariIO I/O Box provides the connectivity expected from a high performance POS terminal including a Powered USB option for all your retail peripherals. (*excludes J1900)

RAID Redundancy

RAID implementation allows improved performance and redundancy giving your solution the fault tolerance and resiliency to avoid downtime. (*excludes J1900)



Patented Double Hinged 2nd Display

The 10.1" 2nd Display allows optimal positioning with the highly flexible double hinged design and dual mounting points allowing you to communicate directly with the customer at the Point Of Sale.



Tangible Service Benefits

Modularized Quick Service Design significantly reduces engineer onsite visit time for upgrades, replacements and regular service schedules.



Detail features

- Wide range of CPUs from J1900 to Intel 6th generation Celeron, Core i3/i5
- Intel AMT & Intel TPM Technology (i5 only)
- True flat 15" 4:3 LCD, 400 nits / 17" 5:4 LCD, 400 nits (LED backlight) with IP66 protection.
- RAID 0/1 function with dual SSD/HDD support (PE21 Option)
- Patented swivel arm with flexible height/tilt adjustment for 2nd display and dual (Left/Right) base mounting points
- Supports 2x12v, 1x24v Powered USB (PE21 Option/ PE20 by request)
- Ultra slim front panel with durable die-cast Aluminum chassis; built to last
- Redefines serviceability from design with easy access & quick swap modular design for Display, MB Box & SSD/HDD
- Peripheral compatibility across the whole VariPOS 2xx series: LCM, 10.1" 2nd display with patented double hinge, VESA Bracket, MSR, iButton, Fingerprint, RFID, Scanner

Peripheral Products



2nd Display



LCM / Pin Pad Bracket
(Left / Right Base Mounting Points)



iButton



MSR



Fingerprint



RFID



Scanner

Ordering Information

VariPOS 250/270 (PE20)

- VariPOS 250/270-J1900 Intel® Celeron® J1900 2.42 GHz CPU
-



Multi-touch Screen



Waterproof - IP66 on Front Panel



Quick & Easy Maintenance



VariPOS 250/270 (PE21)

- VariPOS 250/270-i5-6500TE
- VariPOS 250/270-i3-6100TE
- VariPOS 250/270-Celeron-G3900TE

Intel® Skylake Core™ i5-6500TE 3.30 GHz CPU

Intel® Skylake Core™ i3-6100TE 2.70 GHz CPU

Intel® Skylake Celeron® G3900TE 2.30 GHz CPU



Multi-touch Screen



Waterproof - IP66 on Front Panel



Quick & Easy Maintenance



RAID Function

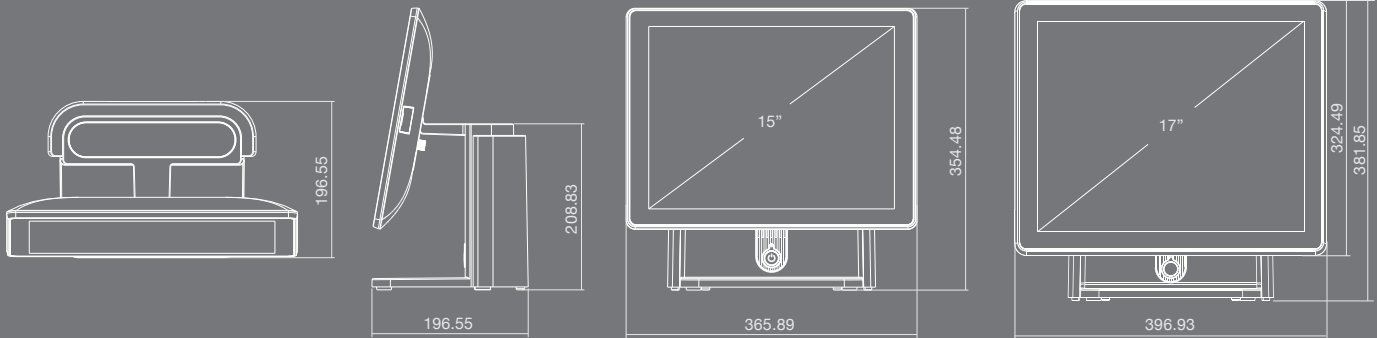


Specification

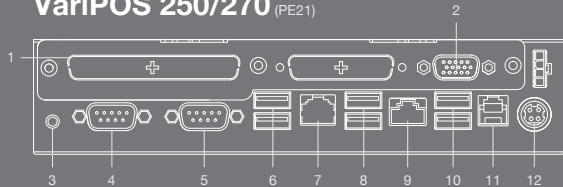
Model Name		• VariPOS 250 / 270 (PE21)	• VariPOS 250 / 270 (PE20)
Main Board	Processor	Intel® Skylake Core™ i5-6500TE Processor Intel® Skylake Core™ i3-6100TE Processor Intel® Skylake Celeron® G3900TE Processor	Intel® Celeron® Processor J1900
	Chipset	Intel® H110 / Intel® Q170 (Option)	CPU Integrated
	System Memory	1 x SO-DIMM DDR4 slot, 4GB RAM as standard. Max. memory support up to 16GB.	1 x SO-DIMM DDR3L slot, 4GB RAM as standard. Max. memory support up to 8GB
	TPM	Intel F/W	N/A
	Intel AMT	N/A / YES (i5 w/ Q170 chipset)	N/A
Display & Touch	LCD Size	15" - 4:3 / 17" - 5:4 TFT LCD (LED backlight)	
	Brightness	15" / 17" - 400 nits	
	Resolution	15" - 1024 x 768 (4:3) / 17" -1280 x 1024 (5:4)	
	Touch	True Flat Projected Capacitive Technology	
Storage	HDD/SSD	1 x SATA III-2.5" / 2 x SATA III-2.5" (Option)	1 x SATA II-2.5"
	RAID Function	N/A / YES. Support RAID 0/1 (Q170 chipset)	N/A
I/O & Expansion	DC Input	1 x Mini Din 4P (DC +19V only)	
	Cash Drawer	1 x RJ-11 (Support DC +12V or +24V (default)) port supports 2 cash drawers	
	LAN port	1 x Intel Gigabit Ethernet by RJ-45	1 x Gigabit Ethernet by RJ-45
	USB port	4 x USB 3.0 2 x USB 2.0	
	Powered USB Port (Option)	2 x 12v Powered USB 1 x 24v Powered USB	N/A
	COM port	3 x RS-232(COM1/2:DB-9, COM3:RJ-48) w/DC 0V/+5V/+12V, Selectable by BIOS (default setting is DC 0V)	
	VGA port	1 x DB-15 w/DC+12V. Power enables by BIOS setting (default is Disable)	
	Bus Expansion	1 x Mini-PCI-E Slot	
	Power Switch	1 x power on/off button	
	Speaker	HD Audio, 2W Speaker x 2	
OS Support		Win10 2016, Win8.1, Win7/POS Ready 7	
Power Adapter		External adapter, DC Model : Voltage:+19VDC, Std. 90watt. (Powered USB will use 180watt adaptor)	External adapter, DC Model : Voltage:+19VDC Std. 65watt
Compliance	Certifications	CE, FCC, LVD, RoHS	
	Protection	IP 66 on front panel	
Material		Main Unit: Die-Cast Aluminum	
Color		Main Unit: Space Gray / Black, Space Gray / White	

Model Name		• VariPOS 250 / 270 (PE21)	• VariPOS 250 / 270 (PE20)
Dimension (W x H x D mm)		365.89 x 354.48 x 196.55 (15") / 396.93 x 381.85 x 203.06 (17")	
Environmental Condition	Operating	0°C ~ 40°C, 10% ~ 90% RH, non-condensing	
	Storage	-20°C ~ 60°C, 10% ~ 90% RH, non-condensing	
Optional Accessories	2nd Display	10.1" Resolution 1280 x 800 (16:10 wide screen) USB Type, with or without True-flat P-cap 10 point Multi-touch	
	VESA Bracket	Supports Display M series	
	Customer Display (LCM)	2x20 LCM, USB Type	
	MSR	ISO 3-Tracks Slim MSR, USB Type	
	iButton	Dallas Key Reader, USB Type	
	RFID	13.56Mhz, USB Type	
	Fingerprint	DigitalPersona, USB Type	
	Scanner	2D scanner, USB Type	
Carton		L 460 x W 300 x H 510 mm (15") / L 485 x W 305 x H 535 mm (17")	

* The right has been reserved to change the specification without prior notice



VariPOS 250/270 (PE21)



- | | | |
|-----------------------------|-----------|----------------|
| 1 Powered USB Port (Option) | 5 COM 1 | 9 LAN |
| 2 VGA | 6 USB 2.0 | 10 USB 3.0 |
| 3 Power Switch | 7 COM 3 | 11 Cash Drawer |
| 4 COM 2 | 8 USB 3.0 | 12 DC 19V |

VariPOS 250/270 (PE20)



- | | | |
|----------------|-----------|----------------|
| 1 VGA | 5 USB 2.0 | 9 USB 3.0 |
| 2 Power Switch | 6 COM 3 | 10 Cash Drawer |
| 3 COM 2 | 7 USB 3.0 | 11 DC 19V |
| 4 COM 1 | 8 LAN | |

Poindus
www.poindus.com



Poindus Systems Corp. Headquarters

5F, No.59, Ln. 77, Xing-Ai Rd., Neihu Dist., Taipei City 114, Taiwan. R.O.C

☎ + 886 27721 4688

📠 + 886 27721 2289

✉ sales@poindus.com

Germany

ADASYS GmbH Elektronische Komponenten
Max-Planck-Str. 10 70806 Kornwestheim

☎ + 49 7154 83000

📠 + 49 7154 8300 599

✉ info@adasys.de

UK

12 Chancerygate Business Centre, Whiteleaf Road,
Hemel Hempstead HP3 9HD

☎ + 44 330 555 0081

📠 + 44 330 555 0082

✉ puk@poindus.com