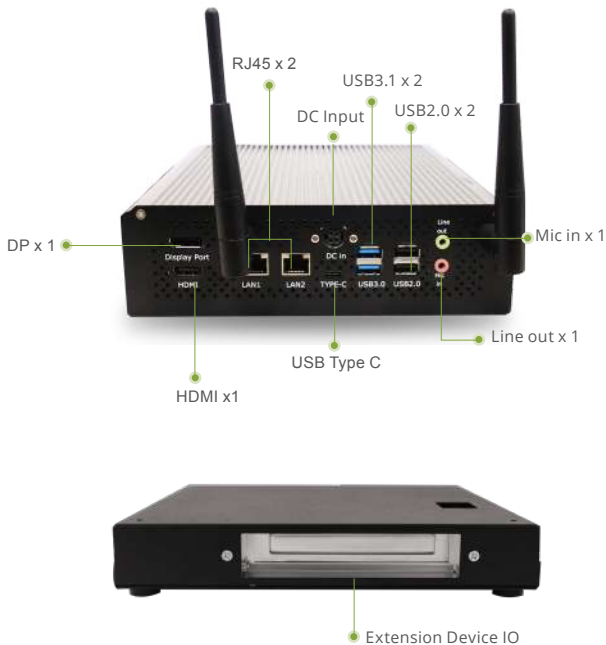


MEDPC Series for Medical Equipment & OEM/ODM

MEDPC-9300

High Performance Medical Grade Box PC with AMD Ryzen™ Embedded V807B/V1605B



Features

- AMD Ryzen Embedded V1807/ V1605B
- Vega GPU with up to 11 / 8 Compute Units
- 1x PCI-E(8x), 1x Mini PCI-E socket, 1x M.2 (M-key)
- Three Independent 4K Display for 1x HDMI, 1x DP , 1x USB type C
- Supports fTPM
- 100V to 240V AC Input
- Modularize Design
- Second layer for extension

Application

- HIS, LIS, RIS
- Pharmaceutical industry
- Biotech Lab
- Signage in hospital
- Equipment control

Specifications

System

| | |
|---------------------|---|
| Processor | AMD Ryzen™ Embedded V1807B/V1605B Processor on board (FP5 BGA package) |
| System Memory | DDR4 SoDIMM x2, Max. 32GB (V1807B) DDR4 SoDIMM x2, Max. 24GB (V1605B) |
| Graphics | Next-gen AMD Vega GPU integrated up to 11 (V1807B) Next-gen AMD Vega GPU integrated up to 8 (V1605B) |
| Ethernet | 2x RJ45 |
| Expansion Interface | 1x PCI-E(8x),1x Mini PCI-E,1x M.2 (M-key, type:2230) ,1x M.2 (E-key, type:2280), |
| BIOS | AMI |
| OS Support | Win 10 IoT Enterprise 64-bit / Linux Ubuntu 64-bit |

Display

| | |
|-----------|---------------------------------------|
| Video Out | 1x HDMI (2.0a), 1x DisplayPort (1.4) |
| Display | Up to 3840 x 2160 resolution, at 60Hz |
| HDMI | Up to 3840 x 2160 resolution, at 60Hz |

I/O

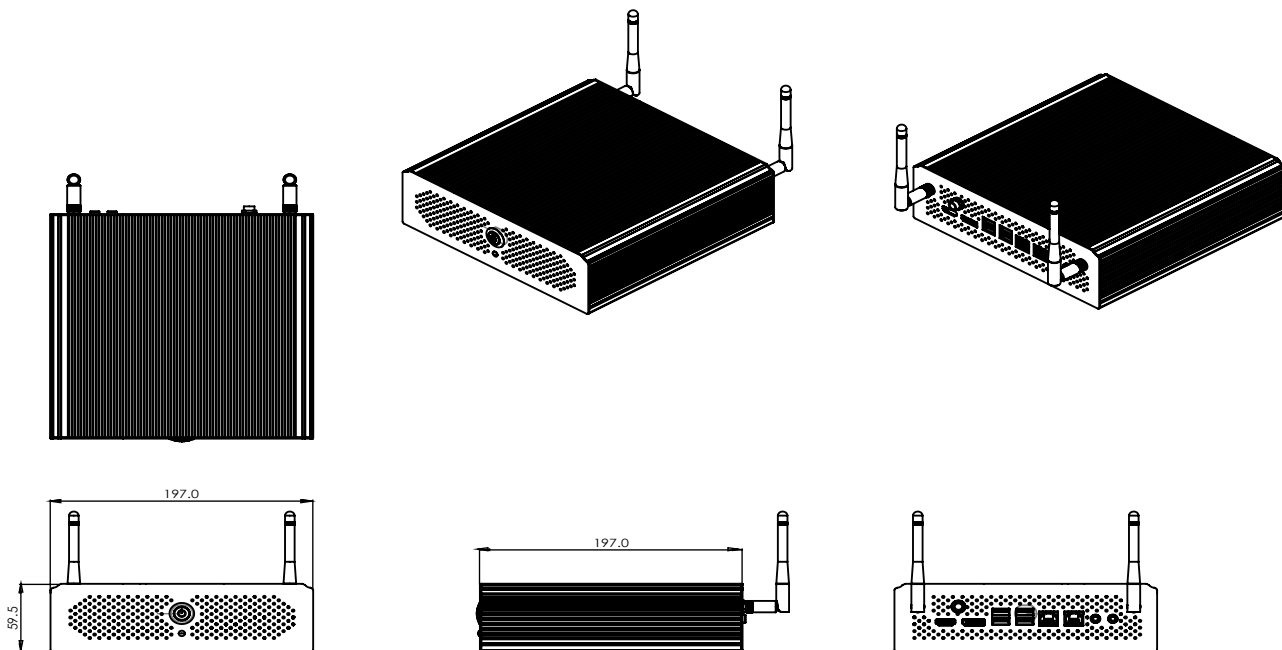
| | |
|-------------|--|
| Storage | 1x mSATA, 1x M.2 |
| USB | 2x USB 3.1 , 2x USB 2.0 , 1xUSB TypeC |
| Audio | Built-in HD audio w/ALC662 codec for 5.1 channel |
| LAN | 2X RJ 45Gigabit Ethernet |
| Audio Jack | 1 x Line-In, 1 x Line-Out |
| Power Input | Screw Lock DC Jack |

Mechanical and Environmental

| | |
|-------------------------------|--|
| Power Requirement | DC12V power input |
| Operating Temperature | 0°C ~ 40°C(32°F ~ 104°F) |
| Storage Temperature | -20°C ~ 60°C(-4°F ~ 140°F) |
| Net Weight | 2.5 kg in the single layer, 3.7 kg in two layers |
| Gross weight | 3.3 kg in the single layer, 4.0 kg in two layer. |
| Dimension | 197 x 197 x 59.5 mm for main layer 197 x 197 x 44 mm for extension layers |
| Package Dimension (W x D x H) | 300 x 280 x 95 mm |

High Performance Medical Grade Box PC with AMD Ryzen™ Embedded V807B/V1605B

Dimension / Unit: mm



Ordering Information

- » MEDPC-9300-N01-A1-0001
MEDPC-9300. AMD Ryzen™ Embedded V1807B.
- » MEDPC-9300-N01-A2-0001
MEDPC-9300. AMD Ryzen™ Embedded V1605B.

Optional Accessories

- » 1255301205
(AOH)(TF)Medical Power Adaptor.AC/DC.100-240V.12V.10A.120W.W/4P DIN.EDAC.EM11011H
- » OPM-C10W-A6
WLAN Kit.Intel 8265.802.11ac/a/b/g/n.BT 4.2.with dual band antenna.MEDPC-9000 series
- » M93-SEC-A1
MEDPC-9300.extension area.