

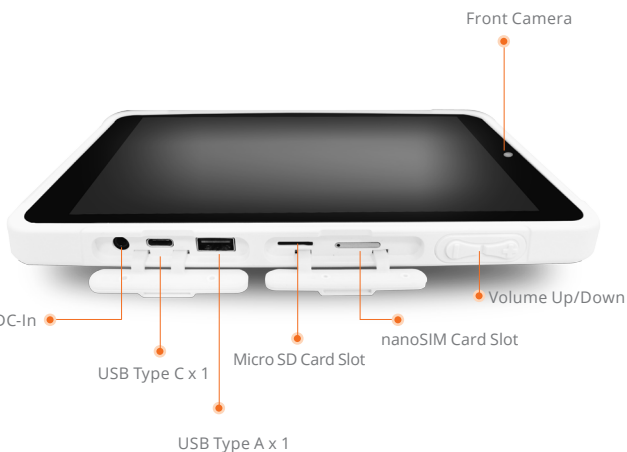
Mobile Medical Assistant

MPAD-800

8" Medical Tablet



Rear Camera



Front Camera

DC-In

USB Type C x 1

Micro SD Card Slot

nanoSIM Card Slot

Volume Up/Down

USB Type A x 1

Features

- ARM® Cortex® Quad-Core up to 1.6 GHz
- Android 6.0.1
- Water/Drop Proof & Fanless Operation
- Built-in Type A USB Port
- Built-in Cellular Communication
- Shift Ready Battery Life
- Medical Grade Device Safety

Specifications

Main Specifications

Processor	ARM® Cortex® Quad-Core up to 1.6 GHz
System Memory	2GB SDRAM
OS Support	Android 6.0.1
LCD Touch Display	8" (1280 x 800) TFT LCD with 2-point P-cap (Latex Glove Operable)
Communication	WiFi a/b/g/n/ac + Bluetooth 4.0 /
I/O Port	USB Type C x 1 or Micro USB x1 ,USB Type A x 1, Volume Up/Down , 3.5mm Stereo Headphone Jack x1, DC-In Jack x 1 or USB Type C Charging x1 or Pogo pin Charging , Built-In Speaker & Microphone, nanoSIM Card Slot, Micro SD Card Slot
Storage	16 GB eMMC Flash
Camera	Front 2MP , Rear 8MP with Flash LED
Sensor	Built-in Light Sensor, Built-in G-Sensor , Built-in Vibration Motor

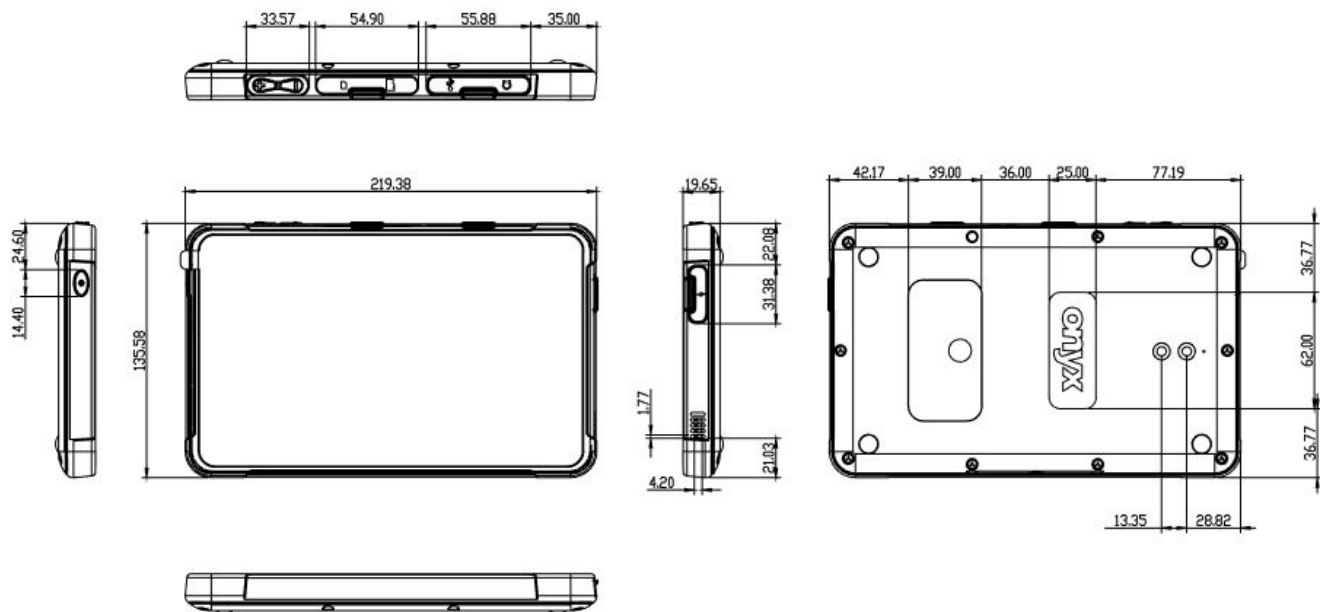
Mechanical and Environmental

Color	White
Dimension(W x H x D)	136.6 x 219 x 21mm (5.38 x 8.58 x 0.83")
Gross Weight	0.67 Kg (1.48lb)
Operating Temperature	0°C ~ 40°C
Storage Temperature	-20°C ~ 60°C
Operating Humidity	10 ~ 75%
Water / Drop Proof	IP54 / 76cm
Medical Certification	CE/FCC Class B , UL60950 , UL/EN60601-1

Power Supply

AC/DC Adapter	AC Power Input: 100 ~ 240V , 50~60Hz,36W , Output:12V , 3A
Battery	Lithium-Polymer High Capacity Battery (8 Hours)

Dimensions / Unit: mm



Ordering Information

- » MPAD-800-A1-1010
Tablet . RK3288. 2G-16G. WiFi.BT.Android 6.0