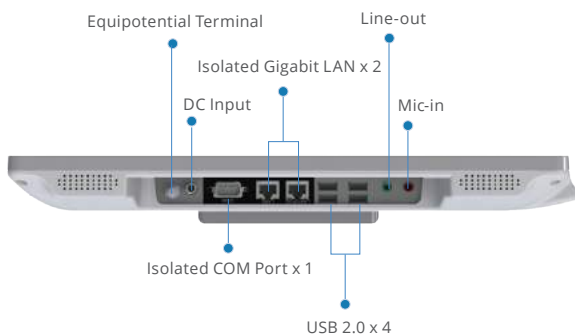
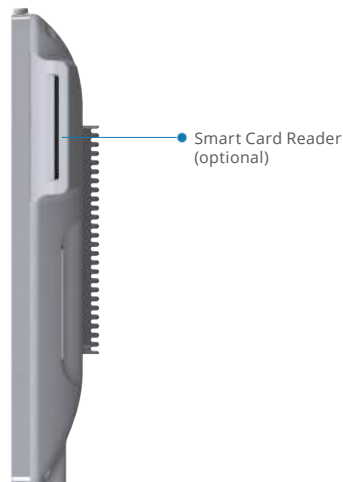
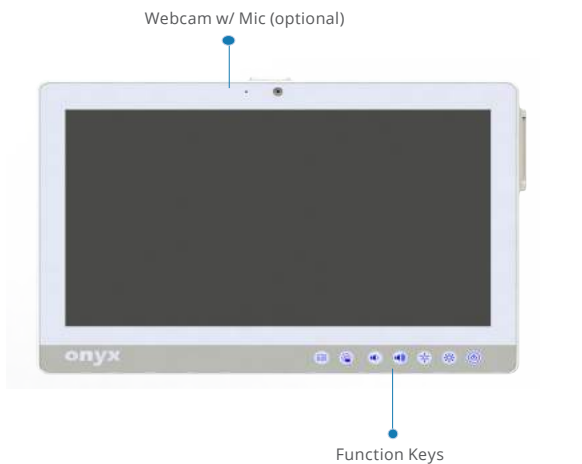


Fanless Slim Panel HIT Solution

ONYX-1531

15.6" Fanless J1900 Quad Core Slim Medical Panel PC



Features

- Intel® Celeron J1900 2.42GHz Quad Core Processor
- 15.6" High Brightness 300-nit Full HD LCD
- Supports DDR3L SODIMM up to 8GB
- 5-wire Resistive Touch Screen / Capacitive Multi-Touch Screen
- Easy Cleaning Flat Screen
- 7 Programmable Smart Function Keys
- COM/LAN Medical Isolation
- 2.0M Pixels Camera with Mic (optional)
- Handset Phone (optional)
- Trusted Platform Module / Smart Card Reader(optional) / MSR(optional) / RFID Reader(optional)
- +12V to +24V wide range DC input / Power over Ethernet(optional)

Specifications

Main Specifications

Processor	Intel® Celeron J1900 Quad Core 2.42GHz
System Memory	Supports DDR3L SODIMM up to 8GB
Expansion Interface	Mini Card x 1
Storage Disk Drive	2.5" SATA Hard Disk Drive/SSD x 1, mSATA SSD x 1
Security	Trusted Platform Module, Smart Card Reader (optional), MSR (optional), RFID (optional)
Wireless Communication	802.11a/b/g/n(optional), Bluetooth 4.0 (optional)
Speaker	3W x 2
Function Key	Speaker Volume Up/Down, LCD Brightness Up/Down
Power Requirement	DC 12-24V / Power over Ethernet (optional)
OS Support	Windows 7, Window 8.1, Windows10, Linux

Display

Size / Type	15.6" LCD
Max. Resolution	1920 x 1080
Luminance(cd/m2)(TYP)	300 nits
Max. Colors	16.7 M
Viewing Angle	160°(H)/140°(V)
Contrast Ratio	700:1
Back Light Life Time	> 15,000 hours
Touch Screen	5-Wire Resistive / Capacitive Multi-Touch

I/O

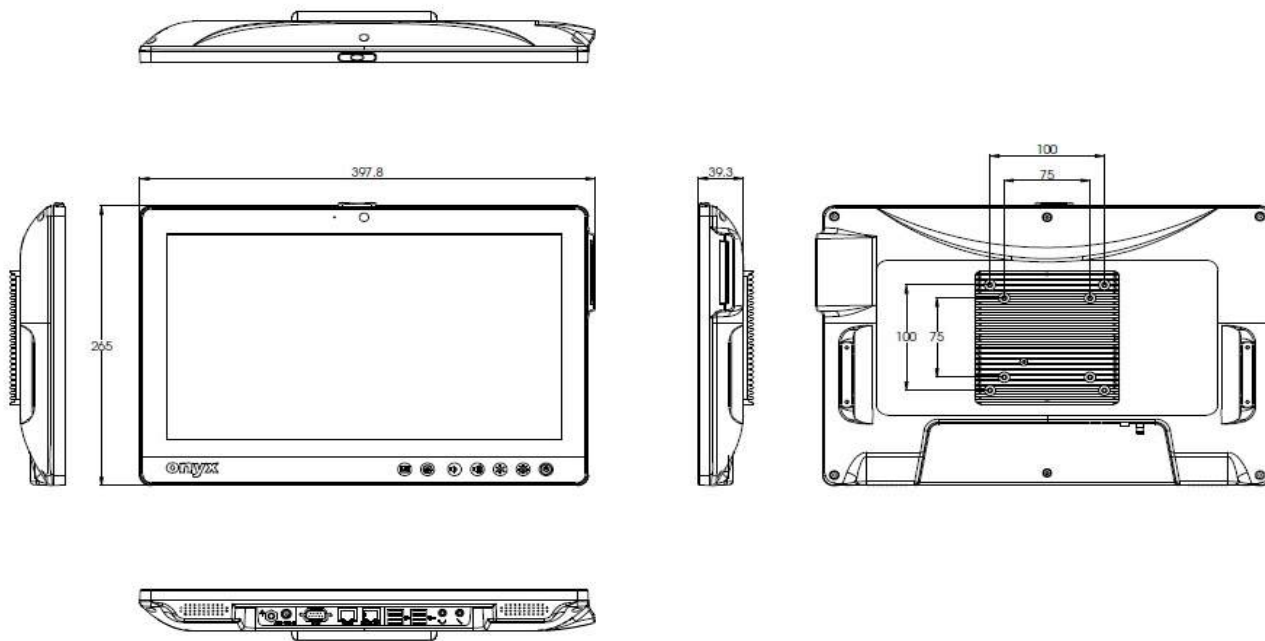
USB	USB 2.0 x 4
Serial Port	Isolated RS-232 x 1
Ethernet	Isolated Gigabit LAN x 2
Audio	Mic-in, Line-out

Mechanical and Environmental

Power Consumption	Full loading: 19 Watts
Operating Temperature	0°C ~ 40°C(32°F ~ 104°F)
Storage Temperature	-20°C ~ 60°C(-4°F ~ 140°F)
Mounting	VESA 75/100 mm
Degree of Protection	IP65 in the front, IPX1
Net Weight	2.8 kg (6.2lb)
Gross Weight	6.5 kg (14.33lb)
Package Dimension (W x D x H)	721 x 224 x 464mm
Certifications	CE: EN 60601-1-2:2015(V4.0), EN 60601-1:2006/A1:2013(V3.1) FCC: Part 18 Class B UL: ANSI/AAMI ES60601-1:2012 (V3.1) cUL: CAN/CSA-C22.2 No. 60601-1:2014 (V3.1)

15.6" Fanless J1900 Quad Core Slim Medical Panel PC

Dimension / Unit: mm



Ordering Information

- » ONYX-1531ET-A1-1010
Slim Medical Panel PC, 15.6" LCD, Intel Celeron J1900, 2GB RAM, DC 12-24V, Resistive Touch
- » ONYX-1531ST-A1-1010
Slim Medical Panel PC, 15.6" LCD, Intel Celeron J1900, 2GB RAM, DC 12-24V, Capacitive Touch

Optional Accessories

- | | |
|------------------------------------------------------------------------------------------------------------------------------------------------------------------------------------------------------------------------------------------------------------------------------------------------------------------------------------------------------------------|--------------------------------------------------------------------------------------------------------------------------------------------------------------------------------------------------------------------------------|
| <ul style="list-style-type: none"> » 1757306039
Medical Power Adapter, 60W, 12V » OPM-T008-A1
Smart Card Reader Kit » OPM-S02C-A1
Magnetic Stripe Reader Kit » OPM-T011-A1
2M Pixels Camera with Mic Kit » OPM-T018-A5
Handset Kit » OPM-S04R-A1
Smart Card+ RFID Reader Kit | <ul style="list-style-type: none"> » OPM-T018-A6
Handset w/Dual-Keypads, Camera » OPM-C16W-A5
WLAN Kit, IEEE 802.11a/b/g/n + Bluetooth 4.0 » OPM-P30D-A10
Power over Ethernet Kit |
|------------------------------------------------------------------------------------------------------------------------------------------------------------------------------------------------------------------------------------------------------------------------------------------------------------------------------------------------------------------|--------------------------------------------------------------------------------------------------------------------------------------------------------------------------------------------------------------------------------|