

Mobile Cart Computer

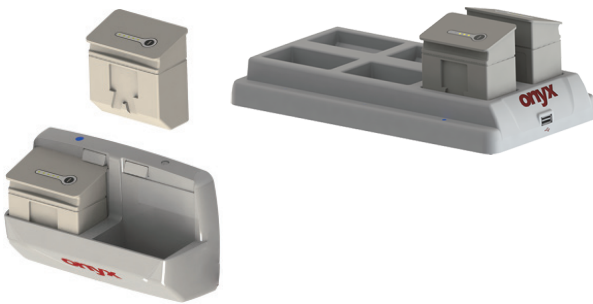
# Mobile Cart Computer Accessory Selection

## OPM-P01C

6 -slot battery charger

## UP-P22

2-slot battery charger



### Features

- Capable of charging 2/6 batteries simultaneously.
- 2/6 Independent LED indicators, clearly reveal recharge status
- Hi-speed recharge and over charge protection

## OPM-P01T

2 Battery kit. Lithium-ion 3S2P battery pack. 10.8V



### Features

- Support battery management system, remote monitor and auto alarm
- LED indicator, easily to check battery status
- Light weight, only 320g!!

### Specifications

Main Specification	2 -slot	6 -slot
Input Power	24V/150W	24V/250W
LED Indicator	Green light : Fully charge battery pack in charger Blue light : Battery pack is charging	
Battery Type	Li-ion battery	
Battery Charge Time	2 hrs for 85%, 3hrs for 100%	
Certification	CE, FCC	

#### Mechanical

Architecture	ABS+PC	
Color	White	
Packing Size	396(L) x 106(W) x 279(H) mm	410(L) x 110(W) x 290(H) mm
Weight	0.67kg (1.47 lb)	1.16kg (2,56 lb)
Gross Weight	2kg	3kg

#### Environmental

Operating Temperature	0°C ~ 40°C(32°F ~ 104°F)
Storage Temperature	-20°C ~ 60°C(-4°F ~ 140°F)
Storage Humidity	10%~95%@35°C, non-condensing

### Ordering Information

- » OPM-P01C-03  
6-slot charger. 24V/250W Medical adaptor
- » UP-P22-A2-1010  
2-slot charger. 24V/150W Medical adaptor

### Specifications

Battery Pack	3S2P / 6 Cell Lithium-ion battery
Typical Capacity	5700 mAh
Nominal Voltage	10.8 V
Power Consumption	62.64 Wh
Battery Run Time	6 hr
Warranty	1 year
Certification	UL,CE,IEC-60950-1,IEC-62133-1

#### Mechanical and Environmental

Color	White
Dimension	230(L)X150(w)x90(H) mm
Weight	320g/pcs
Gross Weight	0.9kg
Operating Temperature	0°C ~ 40°C(32°F ~ 104°F)
Storage Temperature	-20°C ~ 60°C(-4°F ~ 140°F)
Storage Humidity	10%~95%@35°C, non-condensing

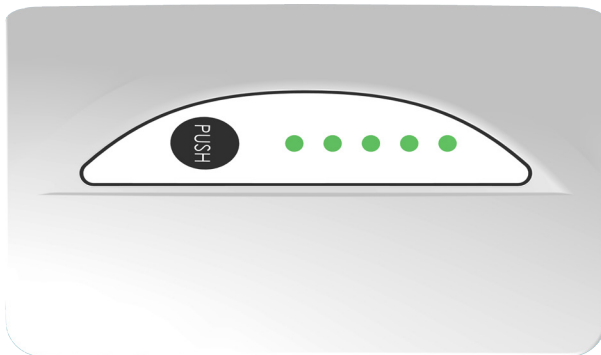
### Ordering Information

- » OPM-P01T-03  
2 Battery Kit. Li-ion 3S2P, 10.8V, 5700mAh. Volume Order (via Sea)

# Mobile Cart Computer Accessory Selection

## OPM-P02T

2 XL Battery Li-ion 10.95V 8550mAh



### Features

- Compatible with all Venus-series and all UPower-series
- X1.5 battery capacity increase
- 120W output, fit almost 99% AIO/NB
- Supports remote management software (ORION)
- Battery capacity indicator button
- Medical grade certified (with Venus)
- Lightweight design

### Specifications

#### Main Specifications

Battery Type	3S3P / 9 Cell Li-ion battery
Battery Voltage	10.95V
Battery Capacity	8550mAh
Warranty	1 year
Charging time	3hrs for 90% ; 3.5hrs for 100% ( with UPower Pro-series)
Safety	Supports protection from over-voltage (input and output), over-current (input and output), short circuit, over-charge, over-discharge, and battery Positive Temperature Coefficient(PTC)
Compatible	Venus all series, UPower all series
Certification	UL, CE, IEC-60950-1, IEC-62133-1

#### Mechanical and Environmental

Architecture	ABS + PC
Color	White
Dimension	125(L) x 80(W) x 45 (H) mm
Net Weight	0.8kg (1.76 lbs)
Packing Size	230(L) x 200(W) x 85(H) mm
Gross Weight	2kg (4.41 lbs)

#### Battery LED Indicator

One LED Flashing	0%~5% capacity
One LED Lighting	5%~20% capacity
Two LED Lighting	20%~40% capacity
Three LED Lighting	40%~60% capacity
Four LED Lighting	60%~80% capacity
Five LED Lighting	80%~100% capacity

### Ordering Information

#### » OPM-P02T-03

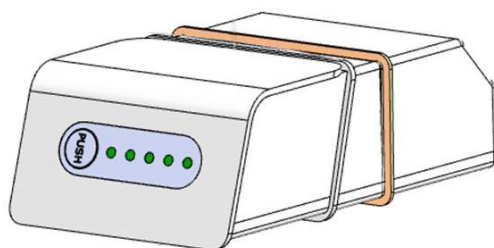
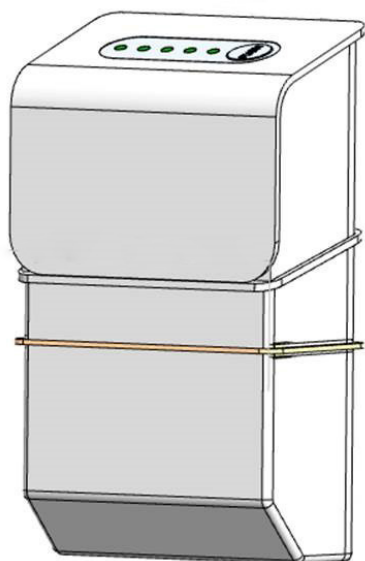
2 XL Battery Kit. Li-ion 3S3P, 10.95V, 8550mAh. Volume Order (via Ocean)

Mobile Cart Computer

# Mobile Cart Computer Accessory Selection

## OPM-P03T

2 XXL Battery Kit. Li-ion. 10.8V. 8710mAh



## Features

- Onyx Battery BlueTECH inside
- Smart LED indicator
- Internal history record

## Specifications

### Main Specifications

Battery Type	3S4P / 12 Cell Li-ion battery
Battery Voltage	10.8V
Battery Capacity	8710mAh
Warranty	1 year
Charging time	3.5hrs with UPower Pro-series
Safety	Supports protection from over-voltage (input and output), over-current (input and output), short circuit, over-charge, over-discharge, and battery Positive Temperature Coefficient(PTC)
Compatible	Venus all series, UPower all series
Certification	UL, CE, IEC-60950-1, IEC-62133-1

### Mechanical and Environmental

Architecture	ABS + PC
Color	White
Dimension	150(L) x 80(W) x 45 (H) mm
Net Weight	430g
Packing Size	230(L) x 230(W) x 90(H) mm
Gross Weight	1.5kg (1.98 lbs)
Operating Temperature	0°C ~ 40°C(32°F ~ 104°F)
Storage Temperature	-20°C ~ 60°C(-4°F ~ 140°F)
Storage Humidity	10%~95%@35°C, non-condensing
Gross Weight	3kg (6.61 lbs)

### Battery LED Indicator

One LED Flashing	0%~5% capacity
One LED Lighting	5%~20% capacity
Two LED Lighting	20%~40% capacity
Three LED Lighting	40%~60% capacity
Four LED Lighting	60%~80% capacity
Five LED Lighting	80%~100% capacity

## Ordering Information

» OPM-P03T-03  
2 XXL Battery Kit.Li-ion 3S4P.10.13V.9000mAH.Vplume Order  
(via Ocean)