

Mobile Application Computer

Venus-173

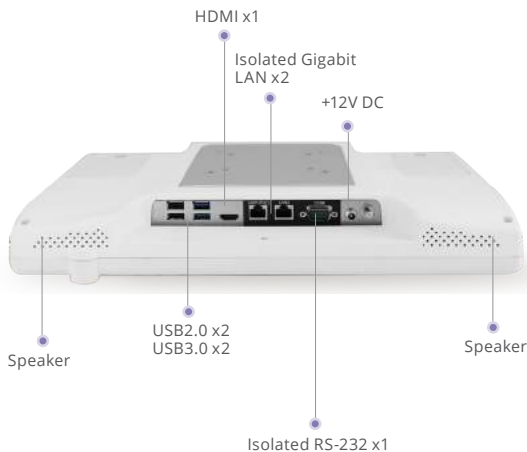
17" 24/7 Mobile Computer



LCD Brightness Control
Power On/Off
Speaker Volume Control



Swappable Battery Pack x 1



HDMI x1
Isolated Gigabit LAN x2
+12V DC
Speaker
USB2.0 x2
USB3.0 x2
Isolated RS-232 x1
Speaker

Features

- Highest level of medical safety protection , EMC4.0/ Safety 3.1
- Cleanability with hospital solvents
- Hot swappable design, support 24/7 run time
- Intel® Skylake Dual-Core i5
- Support remote monitor/control/update (ORION compatible)
- isolated LAN / COM port

Specifications

Main Specifications

Processor	Intel® Skylake Dual-Core i5
System Memory	DDR4 up to 16GB
OS Support	Microsoft® Windows 7 (32bit/64bit) Microsoft® Windows 8.1 (64bit) Microsoft® Windows 10 (64bit) Ubuntu 14.04 LTS IGEL (thin client solution)
Graphics	Intel® HD Graphics 520
Storage	M.2 SSD up to 512GB (optional)
Wireless Communication	802.11 ac/a/b/g/n + BT 4.0 (optional)
Touch	PCT (optional), R-TS
Speaker	3W x2
Security	TPM 2.0

Display

Display Size	17"
Resolution	1280 x 1024
Max. Colors	16.7M
Contrast Ratio	1000:1
Luminance (cd/m2)	250

I/O

USB	USB 3.0 x2, USB 2.0 x2
Video Out	HDMI 1.4 x1
COM	COM port x1
Ethernet	Gigabit LAN x 2
DC-in	12V DC-in x1

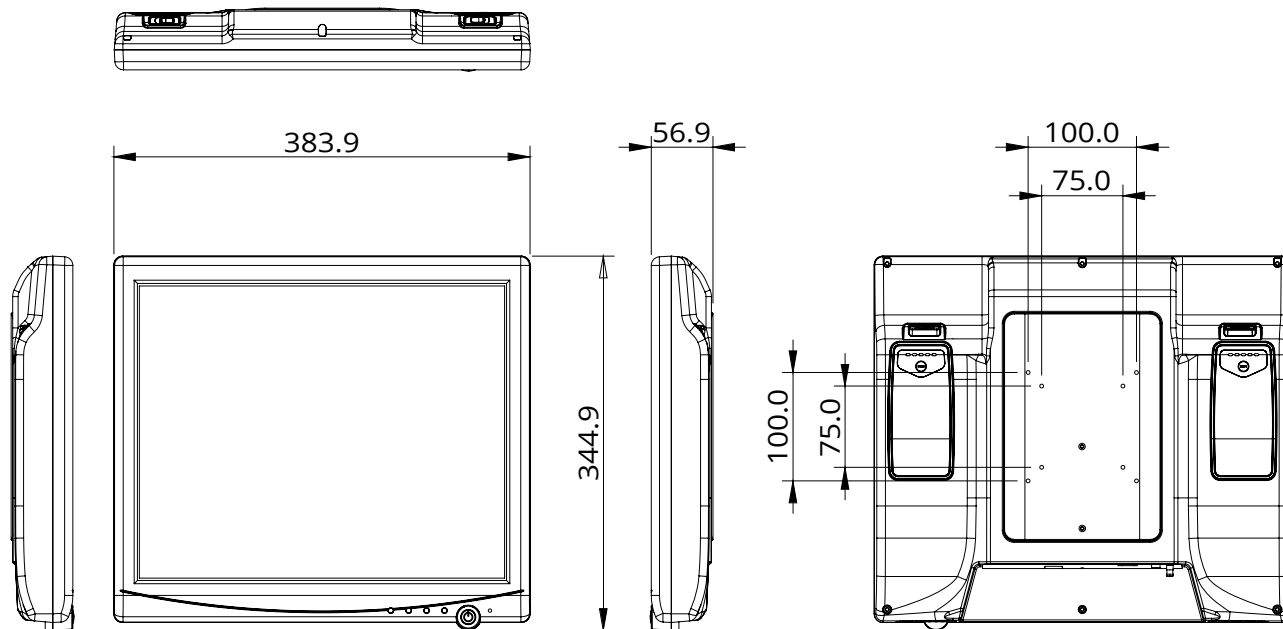
Mechanical and Environmental

VESA	75/100 mm VESA mount
Operating Temperature	0°C ~ 35°C(32°F ~ 95°F)
Storage Temperature	-20°C ~ 60°C(-4°F ~ 140°F)
Storage Humidity	10%~95%@35°C, non-condensing
Dimension	384(L) x 68(W) x 345(H) mm
Net Weight	4.5kg
Packing Size	580(L) x 200(W) x 480(H) mm
Gross Weight	5.6 Kg
Certifications	CE: EN 60601-1-2:2015(V4.0), EN 60601-1:2006/ A1:2013(V3.1) FCC: Part 18 Class B UL: ANSI/AAMI ES60601-1:2012 (V3.1) cUL: CAN/CSA-C22.2 No. 60601-1:2014 (V3.1)

ALL PRODUCT, PRODUCT SPECIFICATIONS AND DATA ARE SUBJECT TO CHANGE WITHOUT NOTICE TO IMPROVE RELIABILITY, FUNCTION OR DESIGN OR OTHERWISE.

17" 24/7 Mobile Computer

Dimension / Unit: mm



Ordering Information

- » VENUS-173-R62-A1-0001
Mobile Computer , i5 6200U ,17" Fanless, R-TS . TPM . Battery x 2

Optional Accessories

- » 1757306039
Medical Adaptor , 12V/60W
- » DDR4-04G-001
DDR4 4GB RAM
- » 968C128G3J
128G M.2 SSD
- » OPM-C10W-A5
WLAN dual band module kits , Intel 802.11 ac/a/b/g/n + BT 4.2
- » OPM-C10W-A5
WLAN dual band module kits , Atheros 802.11 a/b/g/n + BT 4.0
- » UP-M62-A1-1010
6-Slot Charger + 24V / 120W adaptor