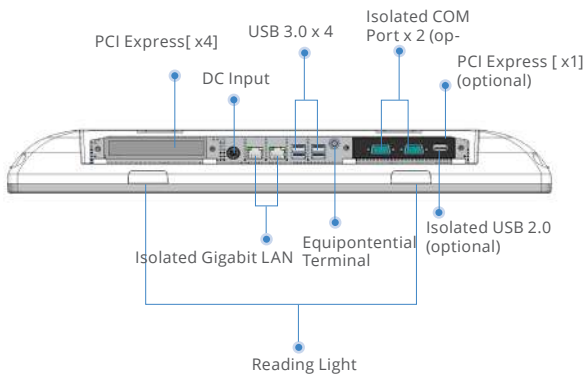
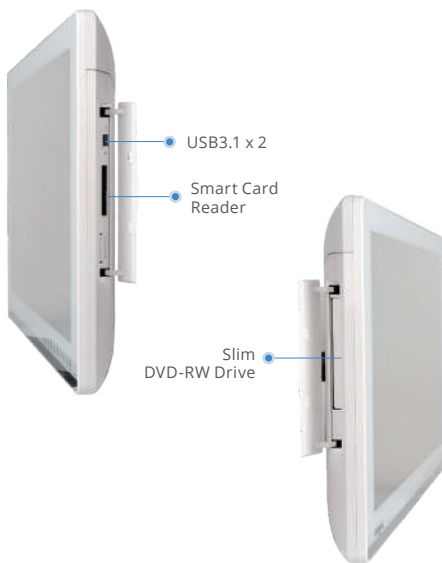
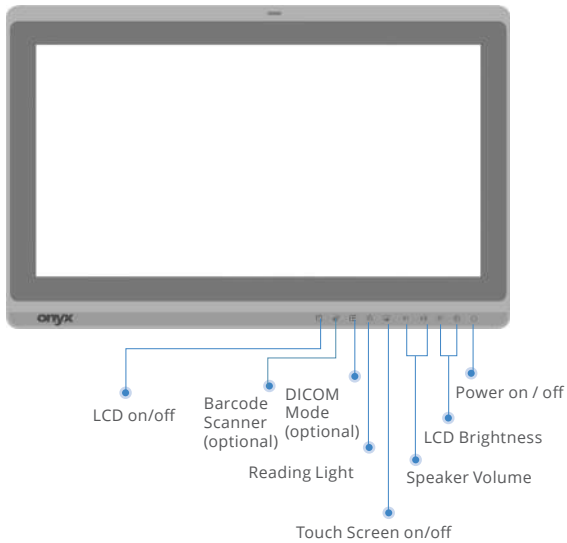


Surgical and Server Level Workstation

ZEUS-248

24" Fanless Smart View 7th Generation Core i7 Multi-Touch Medical Station



Features

- Intel® 7th Generation Core i7-7600U 3.9GHz Dual Core Processor
- 24" 250-nit Full HD High Contrast MVA LCD
- Supports DDR4 SODIMM up to 32GB
- Capacitive Multi-Touch Screen / 5 Wire Resistive Touch Screen
- Easy Cleaning Flat Screen
- 10 Programmable Smart Function Keys with Dual Colors LED Status Indication
- LAN/USB(optional)/COM(optional) Medical Isolation
- Super Speed 10Gb/s USB 3.1 Port
- PCI Express[x4] x 1, PCI Express[x1] , PCI x1(optional)
- Trusted Platform Module / Smart Card Reader(optional) / RFID Reader(optional)
- Remote Management: Intel Active Management Technology
- +12V to +24V wide range DC input
- 25Wh Backup Battery(optional)

Specifications

Main Specifications

Processor	Intel® 7th Generation Core i7-7600U 3.9GHz Dual Core
System Memory	DDR4 SODIMM up to 32GB
Expansion	PCI Express[x4] x 1, PCI Express[x1] , PCI x1(optional)
Storage Disk Drive	2.5" SATA Hard Disk Drive/SSD x 1 Slim DVD-RW Drive x 1(optional) M.2 SSD x 1
Security	Trusted Platform Module, Smart Card reader(optional), RFID(optional)
Wireless Communication	802.11a/b/g/n/ac(optional), Bluetooth 4.0 (optional)
Speaker	5W x 2
Function Key	Speaker Volume Up/Down, LCD Brightness Up/Down, LCD On/Off, Touch Screen On/Off, DICOM Mode(optional), Reading Light On/Off
Power Requirement	DC 12~24V / AC 100~240V , 22Wh Back Up Battery(optional)
OS Support	Windows® 10, Linux®

Display

Size	24" LCD
Resolution	1920 x 1080
Luminance	250 nits
View Angle	178°(H)/178°(V)
Contrast Ratio	3000:1
Back Light Life Time	30,000 Hours
Touch Screen	Capacitive Multi-Touch/5-Wire Resistive

I/O

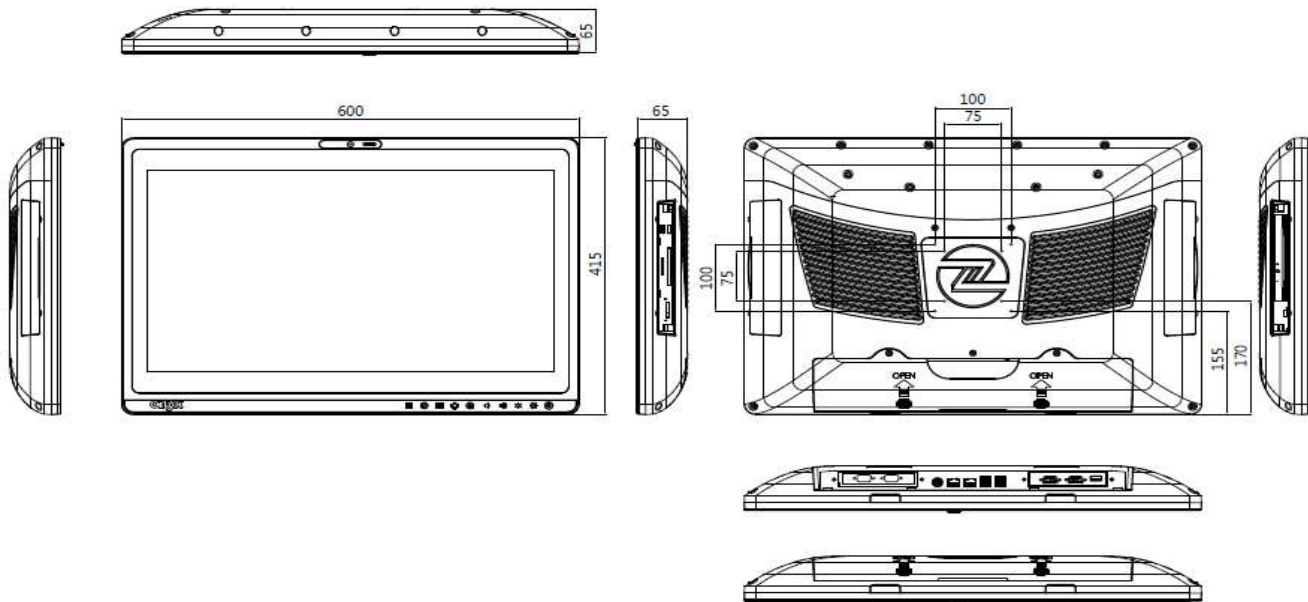
USB	USB 3.0 x 4, USB 3.1 x 2(in side I/O), Isolated USB 2.0 x1(optional)
Serial Port	Isolated RS-232 x 2(optional)
Ethernet	Isolated Gigabit LAN x 2
Audio	Mic(optional)/ Line out(optional)
Video Out	Display Port x 2(optional)

Mechanical and Environmental

Power Consumption	Full Loading: 60 Watts
Operating Temperature	0°C ~ 40°C(32°F ~ 104°F)
Storage Temperature	-20°C ~ 60°C(-4°F ~ 140°F)
Mounting	VESA 75/100 mm
Degree of Protection	IP65 in the front, IP54 in the back
Dimension	600 x 415 x 65 mm
Package Size	790 x 220 x 550 mm
Gross Weight	14 kg (30.86 lb)
Net Weight	9.2kg (20.28lb)
Certifications	CE: EN 60601-1-2:2015(V4.0), EN 60601-1:2006/A1:2013(V3.1) FCC: Part 18 Class B UL: ANSI/AAMI ES60601-1:2012 (V3.1) CUL: CAN/CSA-C22.2 No. 60601-1:2014 (V3.1)

24" Fanless Smart View 7th Generation Core i7 Multi-Touch Medical Station

Dimension / Unit: mm



Ordering Information

- | | |
|--|--|
| » ZEUS-248ST-A5-1010
i7-7600U,4GB RAM,24" LCD,12~24V DC ,Capacitive Touch | » ZEUS-248ST-A5-1110
i7-7600U,4GB RAM,24" LCD,100~240V AC, Capacitive Touch |
| » ZEUS-248ST-A6-1010
i5-7300U,4GB RAM,24" LCD,12~24V DC,Capacitive Touch | » ZEUS-248ET-A5-1110
i7-7600U,4GB RAM,24" LCD,100~240V AC, Resistive Touch |
| » ZEUS-248ET-A5-1010
i7-7600U,4GB RAM,24" LCD,12~24V DC,Resistive Touch | » ZEUS-248ST-A6-1110
i5-7300U,4GB RAM,24" LCD,100~240V AC, Capacitive Touch |
| » ZEUS-248ET-A6-1010
i5-7300U,4GB RAM,24" LCD,12~24V DC,Resistive Touch | » ZEUS-248ET-A6-1110
i5-7300U,4GB RAM,24" LCD,100~240V AC, Resistive Touch |

Optional Accessories

- | | |
|---|--|
| » 1255301202
Medical Power Adapter, 120W, 24V | » OPM-V03B-A2
One Display Port Kit |
| » OPM-C16W-A6
Mini Card WLAN Kit, IEEE 802.11a/b/g/n + Bluetooth 4.0 | » OPM-T017-A5
Hot Swap Rack w/Lock Kit for 2.5" HDD/SSD |
| » OPM-T003-A5
Slim Slot-in DVD-RW Drive | » OPM-T012-A2
Two RS-232 Kit |
| » OPM-T006-A1
Smart Card Reader Kit | » OPM-V04B-A1
DICOM Kit |
| » OPM-P09C-A3
25Wh Backup Battery | » OPM-R02X-A1
PCI Express [X1] Riser Kit |
| » OPM-C02C-A4
Two Isolated RS-232 PCIe Card | » OPM-R01P-A1
PCI Riser Kit |
| » OPM-C02C-A3
One Isolated USB 2.0 + Two Isolated R-232 PCIe Card | » OPM-U01T-A1
Line-out/Line-in/Mic Kit |
| » OPM-V03B-A1
One Display Port + Two RS-232 Kit | » OPM-S07R-A4
RFID Reader Kit |